

Programmable Motorized Polarization Controller

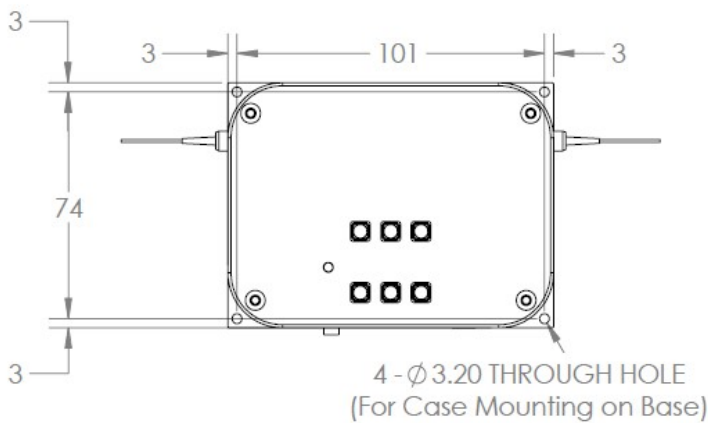
ELC Series

- Programmable 3 axis-motorized polarization controller
- Local control for individual axis adjustment
- Optical waveplates configuration, flexible combination



Specification

	Parameter	Min.	Typ.	Max.	Unit
Control Unit Collimator Frame	Insertion Loss ¹			0.8	dB
	Return Loss	50			dB
	Optical Fiber		SMF ϕ 2mm, 1m		
	Optical Connector		FC or SC, SPC or APC		
	Motor Speed		Manual Slider		
	PC Interface		Micro USB (Virtual COM Port) RS232		
	Functionality		Individual Axis Control Simultaneous XYZ Axis Rotation Slow Scrambling Functionality		
	Power Supply		DC+5V, 2A (2.1mm ϕ)		
	Dimension (W x H x D)		107 x 50 x 80		mm
	Quarter-wave Plate (Q) Half-wave Plate (H)	Insertion Loss		0.1	
	Loss Variation		0.1		dB
Polarizer (P)	Insertion Loss		0.1		dB
	Extinction Ratio	35			dB



Order Instruction

Ordering Information

ELC-□□-□□□□-□□□□

Wavelength 15: 1550nm 13: 1310nm	Cartridge P: Polarizer Q: 1/4-Wave Plate H: 1/2 Waveplate N: N/A	Fiber Type SM: SMF PM: Panda	Connector Type FS: FC/SPC FA: FC/APC SS: SC/SPC SA: SC/APC
---	---	---	---